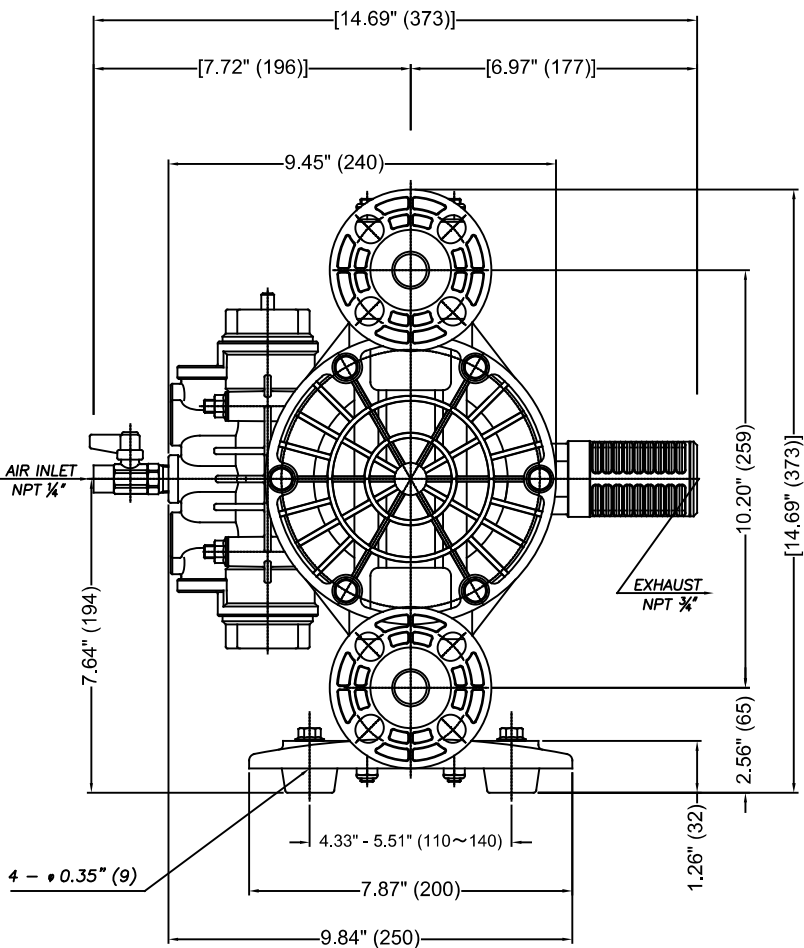
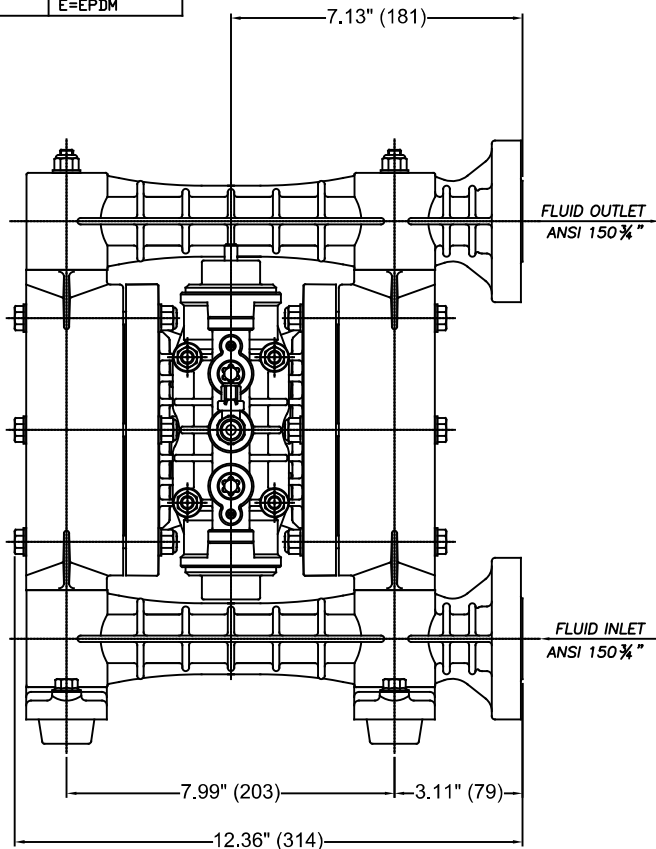




Materials of Construction	
PUMP BODY MATERIAL	PPG
DIAPHRAGM MATERIAL	C=CR
	N=NBR
	T=PTFE
	H=TPEE
	S=TPD
	V=FKM
	E=EPDM



REVISIONS			
REV	DESCRIPTION	DATE	APPROVED
A	RELEASED	01/13/2026	JP

NOTES:  
1. SOME FEATURES MAY VARY SLIGHTLY.

<b>PROPRIETARY</b> <small>THIS DRAWING CONTAINS CONFIDENTIAL INFORMATION PROPRIETARY TO IWAKI AMERICA. IT MUST NOT BE REPRODUCED OR FORWARDED TO OTHERS OR USED IN ANY OTHER WAY, IN WHOLE OR IN PART, UNLESS AUTHORIZED IN WRITING BY IWAKI AMERICA.</small>		<b>TOLERANCES</b> <small>DIMENSIONS IN INCHES UNLESS OTHERWISE NOTED</small> X = .050 XX = .010 XXX = .00 <small>DEBURR AND BREAK ALL SHARP EDGES</small>		 www.IwakiAir.com		5 Boynton Rd. Hopping Brook Park Holliston, MA 01746 (508) 429-1440	
MATERIAL: SEE CHART				UNLESS OTHERWISE NOTED X = .050 XX = .010 XXX = .00 <small>DEBURR AND BREAK ALL SHARP EDGES</small>			
BY: BA	DATE: 01/13/2026	SIZE: B	DWG NO.: TC-X00190	DESCRIPTION: TC-X200G_A		REV: A	
APPROVED: JP	DATE: 01/13/2026	SCALE: FULL		 THIRD ANGLE PROJECTION		SHEET: 1 OF 1	